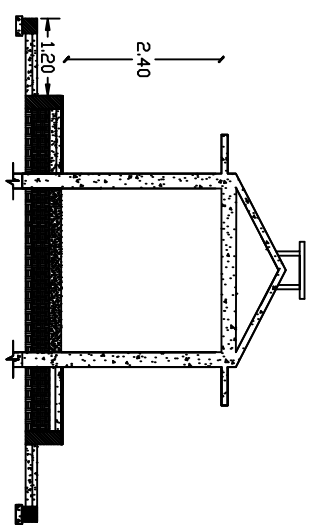
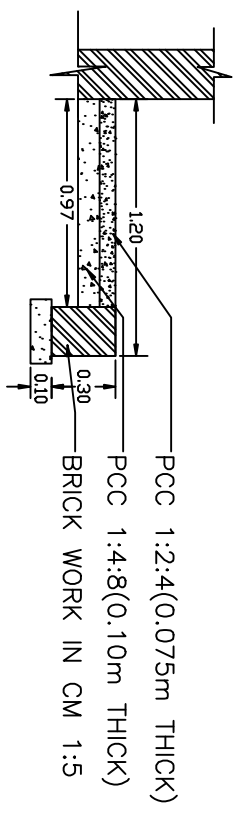


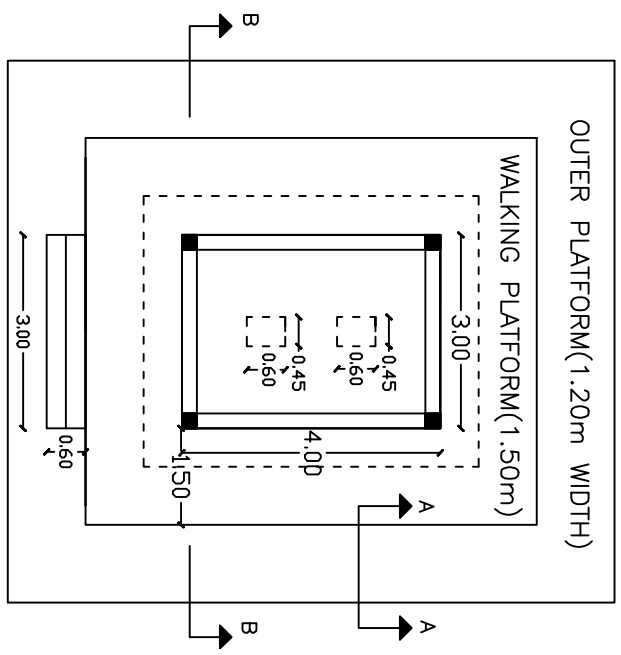
ELEVATION



SECTION BB



SECTION AA



PLAN

**IMPORTANT NOTES:**

1. ECONOMICAL FOUNDATION MAY BE ADOPTED. DEPTH OF FOUNDATION SHOULD BE BASED ON THE SOIL CONDITION AT SITE.
2. BASEMENT HEIGHT CAN BE CHANGED ACCORDING TO THE SITE CONDITIONS.
3. WALKING PLATFORM SHOULD BE PROVIDED AROUND THE SHED.
4. A COVER OF 35 mm SHOULD BE PROVIDED FOR THE ROOF SLAB.

PLINTH AREA 60 sq.m/645.6 sq.ft  
DRAWING NO: 1-117/SERD/Dt.03.09.11

**DIRECTORATE OF RURAL DEVELOPMENT AND PANCHAYAT RAJ**

SCALE 1:100	DATE	ALL DIMENSIONS ARE IN m.	
<i>[Signature]</i> AE	<i>[Signature]</i> AEE	JOB NO:17	DRAWING NO:1
<i>[Signature]</i> EE	<i>[Signature]</i> SE		

**TYPE DESIGN FOR CREMATION SHED**

PLAN,ELEVATION AND SECTION