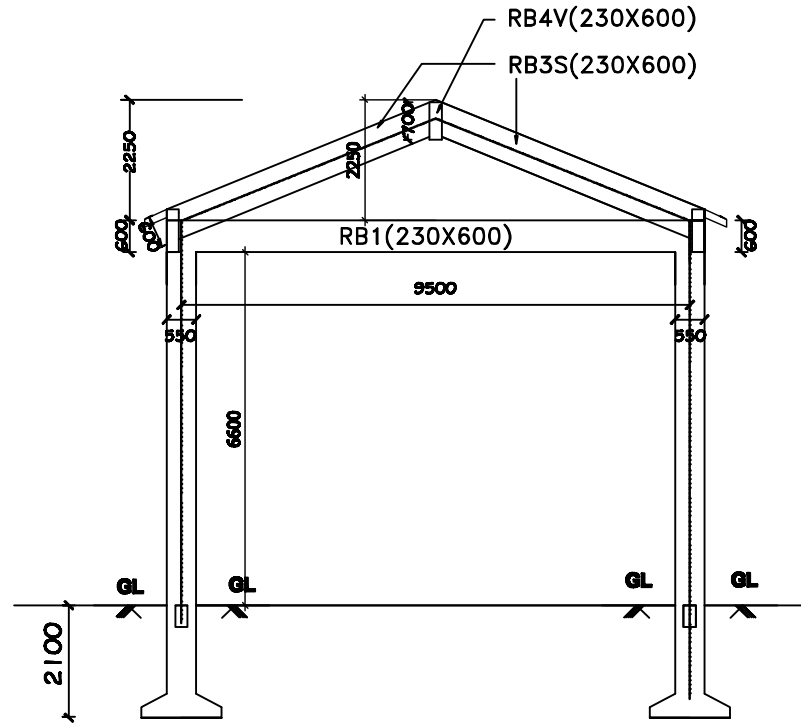


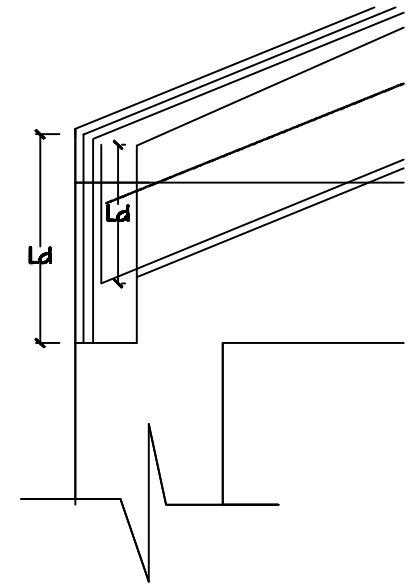
ROOF BEAM DETAILS AT RIDGE



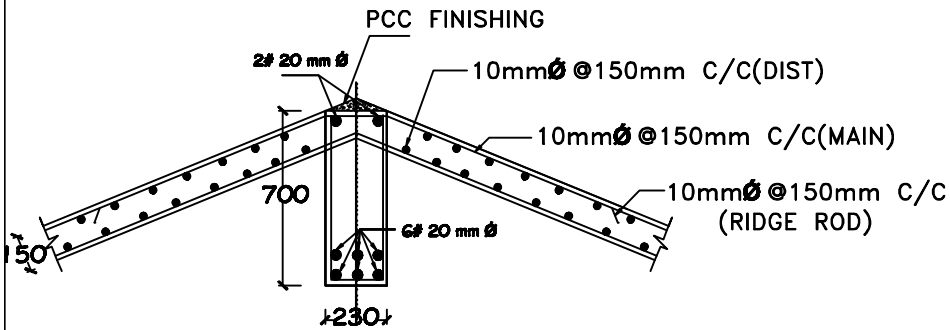
FRONT ELEVATION

IMPORTANT NOTES:

1. THIS DRAWING SHOULD BE READ ALONG WITH ARCHITECTURAL DRAWINGS
2. GRADE OF CONCRETE MIX SHALL BE M20 CONFORMING TO IS:456-2000
3. REINFORCEMENT SHALL BE HIGH STRENGTH DEFORMED BARS OF GRADE FE-415 CONFORMING TO IS:1786-2000
4. CLEAR COVER TO THE MAIN STEEL.
 - (a) 25MM FOR FOOTING
 - (b) 40MM FOR COLUMN
 - (c) 25MM FOR LINTEL & BEAMS
 - (d) 25MM FOR SUBGRADE & SLAB
5. NOT MORE THAN HALF THE COLUMN BARS SHALL BE LAPPED AT A SECTION
6. LAP LENGTH SHALL BE 30 TIMES THE DIAMETER OF BAR.
7. PROVIDE CONTINUOUS CHAIRS TO KEEP THE TOP REINFORCEMENTS IN POSITION IN SLAB.
8. SPACER BAR TO BE PROVIDED IN BETWEEN TWO LAYERS OF REINFORCEMENT OF SAME DIA AT EVERY 3000 C/C
9. NOT MORE THAN 50% OF REINFORCEMENT SHALL BE LAPPED AT ANY PARTICULAR JUNCTION.
10. CANTILEVER PROPS SHOULD NOT BE REMOVED UNTIL THE ROOF IS CONCRETED.



ROOF BEAM DETAILS AT EDGE



SECTION 1-1

SBC -10T/M2 @ M BELOW GL

DRAWING NO: -J /SERD/D1.

DIRECTORATE OF RURAL DEVELOPMENT AND PANCHAYAT RAJ			
SCALE 1:100	DATE:	ALL DIMENSIONS ARE IN mm	
AE	AE	JOB NO:	DRAWING NO:44
BE	BE		
PORTICO FOR PANCHAYAT UNION OFFICE BUILDING			
PLAN, ELEVATION AND SECTION.			