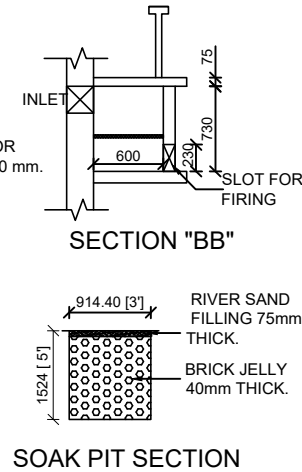
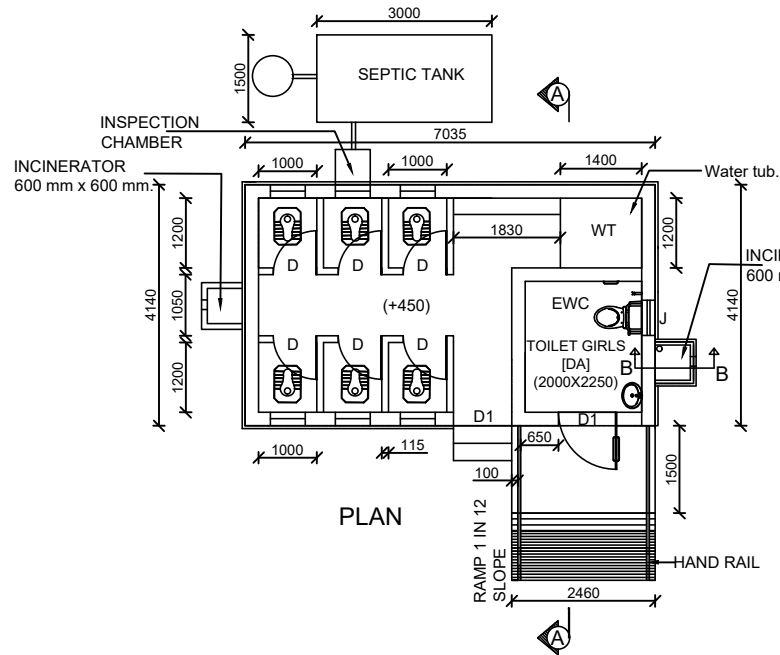
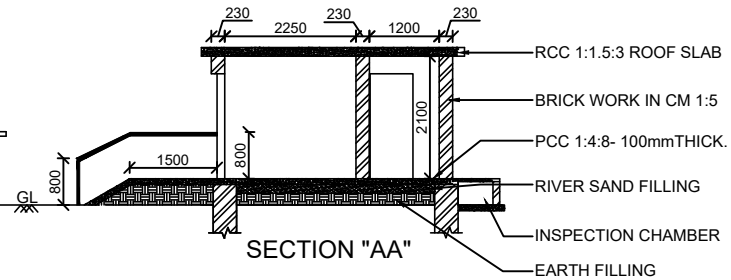
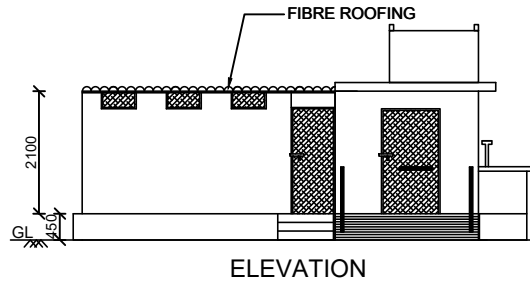


SCHOOL TOILET (GIRLS)



SCHEDULE OF JOINERY							
SL NO	TYPE	SIZE		SILL	TOP	DESCRIPTION	REMARKS
		WIDTH	HEIGHT				
1	D	750	1800	-	1800	STEEL DOOR WITH 18GMS SHEET SHUTTER	SINGLE
2	D1	1000	1800	-	1800	STEEL DOOR WITH 18GMS SHEET SHUTTER WITH HANDRAIL	SINGLE
3	J	600	450	1650	2100	RCC JOLLY	-

PLINTH AREA : 29.13 sq.m /313.38 sq.ft
DRAWING NO: 01/SERD/DT:14.05.2019

DIRECTORATE OF RURAL DEVELOPMENT AND PANCHAYAT RAJ

TITLE : TYPE DESIGN FOR SCHOOL TOILET (GIRLS)
PLAN, ELEVATION AND SECTION

AE	AEE	DATE	
EE	SE	26.10.2017	
		SCALE	SH. No. 1 OF 1
		1 : 100	
DRAWING NO: 01			REVISION : 2