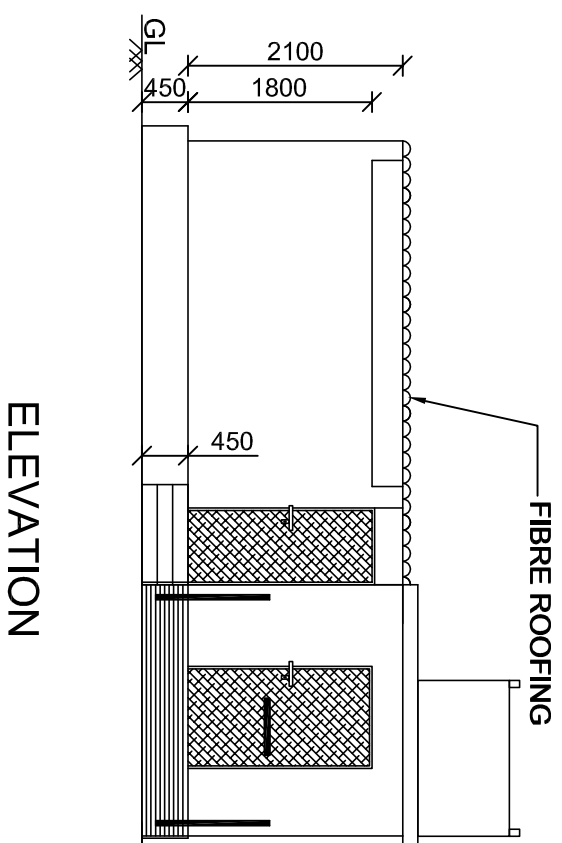
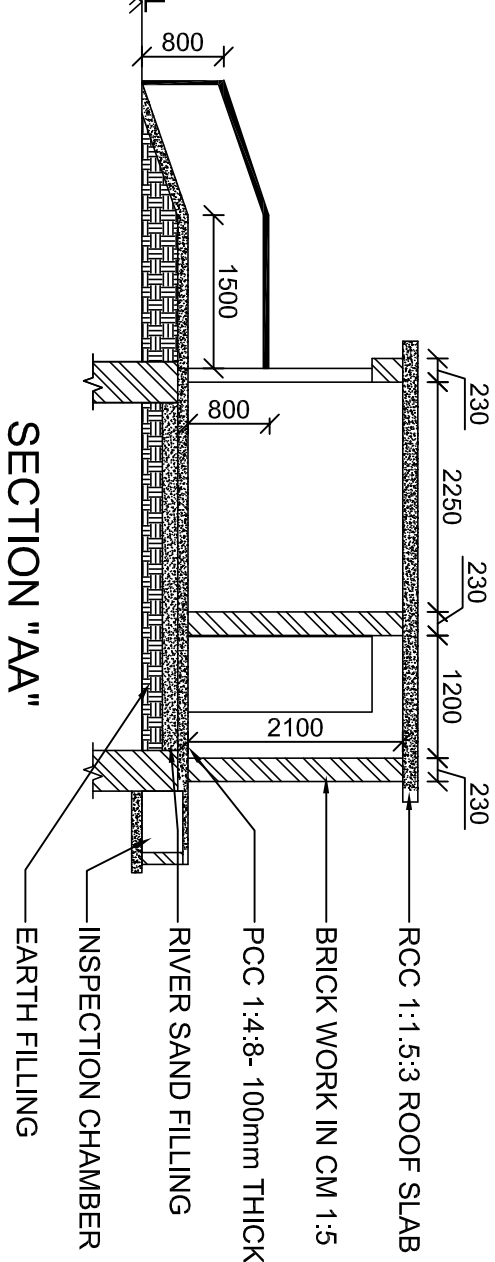


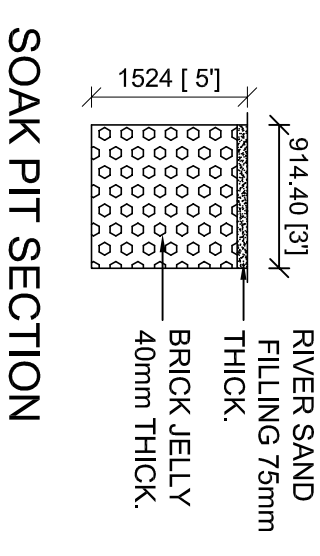
SCHOOL TOILET (BOYS)



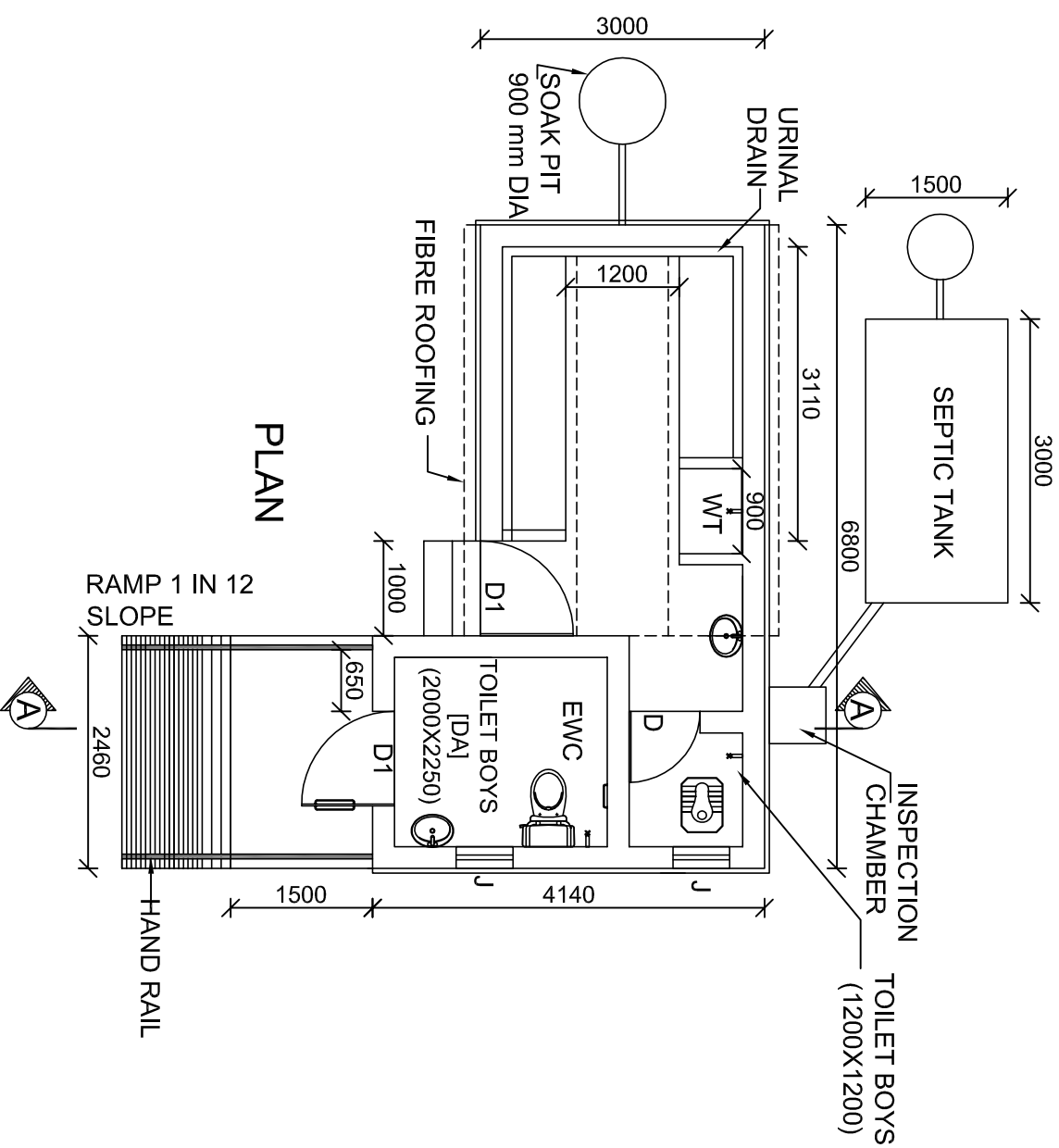
ELEVATION



SECTION "AA"



SOAK PIT SECTION



PLAN

IMPORTANT NOTES:-

- ECONOMICAL FOUNDATION MAY BE ADOPTED. DEPTH OF FOUNDATION SHOULD BE BASED ON THE SBC OF SOIL AVAILABLE AT SITE.
- FLOORING SHOULD BE DONE USING ANTI SKID TILES FOR TOILETS ONLY.
- SLIGHT SLOPE SHOULD BE GIVEN FOR ROOF SLAB.
- HANDRAILS SHOULD BE PROVIDED INSIDE THE TOILET AND AT THE RAMP PORTION FOR DIFFERENTLY ABLED PERSONS.
- FIBRE ROOFING HAS TO BE PROVIDED ONLY IF THERE IS ANY BUILDING NEARBY.
- SURFACE OF THE RAMP SHOULD BE GROOVED.
- PVC TANK WITH 500 LITRES CAPACITY SHOULD BE PROVIDED.
- DOOR (FOR DA TOILET) SHOULD BE PROVIDED WITH HANDRAIL.
- HARMONIZED GUIDELINES AND SPACE STANDARDS FOR PERSON WITH DISABILITIES (FEB-2016) SHOULD BE REFERRED FOR POSITIONING OF SANITARY FIXTURES TO DISABLED TOILET.
- ALL DIMENSIONS ARE IN mm.

SCHEDULE OF JOINERY

SL. NO	TYPE	SIZE		SILL	TOP	DESCRIPTION	REMARKS
		WIDTH	HEIGHT				
1	D	750	1800	-	1800	STEEL DOOR WITH 18GMS SHEET SHUTTER	SINGLE
2	D1	1000	1800	-	1800	STEEL DOOR WITH 18GMS SHEET SHUTTER WITH HANDRAIL	SINGLE
3	J	600	450	1650	2100	RCC JOULLY	-

PLINTH AREA : 23.20 sq.m /249.63 sq.ft

DRAWING NO: 1/SERD/DT:26.10.2017

DIRECTORATE OF RURAL DEVELOPMENT AND PANCHAYAT RAJ

TITLE : TYPE DESIGN FOR SCHOOL TOILET (BOYS)
PLAN, ELEVATION AND SECTION

DATE	SCALE	SH. No. 1 OF 1
26.10.2017	1 : 100	

DRAWING NO: 02

REVISION : 2